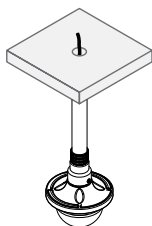


# DA-CM2050 INSTALLATION MANUAL



This manual is intended for users of the DA-CM2050 ceiling mounting bracket. It includes instructions for mounting the DA-CM2050 ceiling mounting bracket to a ceiling.

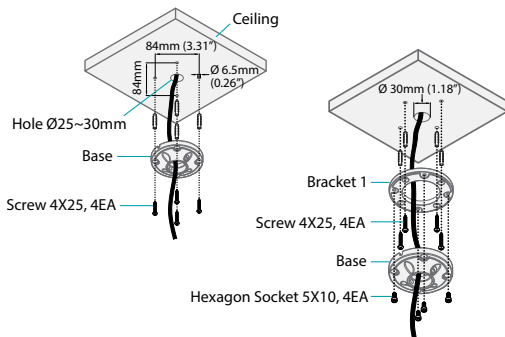


- **This bracket is intended to be used with a specific model of camera. Do not use it with other models of cameras except for those approved by the dealer or distributor.**
- **This installation should be performed by a qualified service personnel in conformance to all local codes.**
- **You may need to reinforce the ceiling. If the ceiling is not strong enough to support the camera, the camera may fall.**
- **Do not use this product for other purposes.**

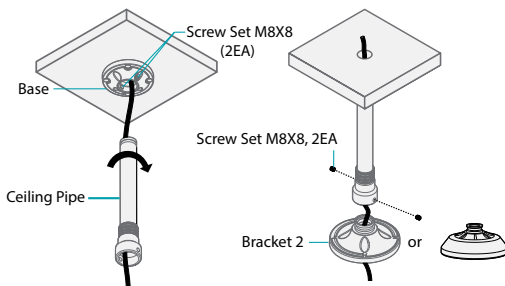
## Mounting

Mount the bracket to the ceiling as follows:

- 1 Insert cables from external devices, network and power adapter into base.
- 2 Mount base to the ceiling by using the provided anchors and screws. Or, mount bracket 1 to the ceiling and then the base to bracket 1 by using the provided anchors and screws.



- 3 Insert cables from external devices, network and power adapter through the ceiling pipe.
- 4 Assemble the ceiling pipe into the base.
- 5 Insert cables from external devices, network and power adapter into bracket 2, which is purchased separately.
- 6 Assemble bracket 2 into the ceiling pipe and fix it by using the screws.



## Dimensions

Unit: mm (inch)

